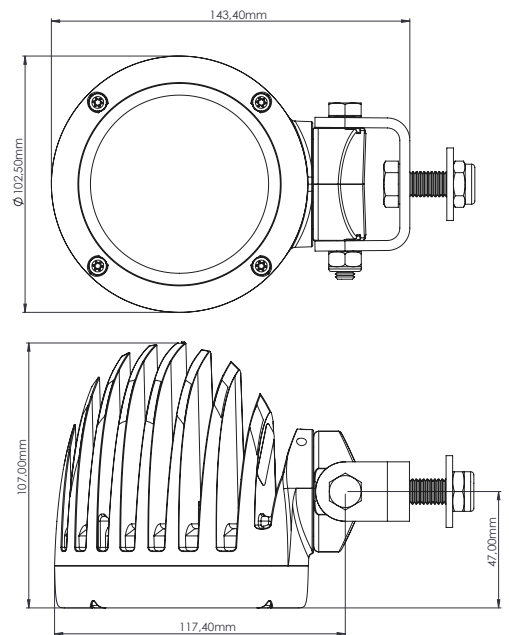


D10 Swivel

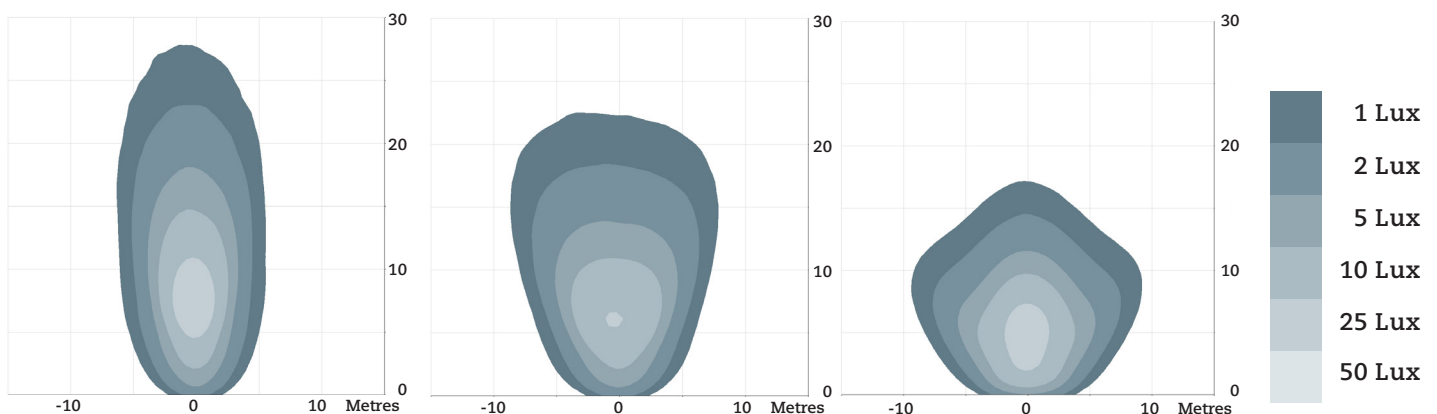


The D10 Swivel has streamline shape and a swivel side mounting bracket. This bracket enables the D10 Swivel to be easily adjusted into various positions to illuminate your work area. Delivering an effective lumen output of 2500 lumen, it is not only adaptable but also bright.



| | |
|---|----------------------------|
| Operating Temp: | -40° to +85°C |
| Light Pattern: | Symmetric / Asymmetric |
| Lens Material: | Plastic |
| Housing Material: | Cast Aluminium |
| Mounting Options: | Side / Swivel |
| Connector: | Deutsch (DT04-2P) built in |
| Weight: | TBC |
| IP IP69K | Salt Spray ASTMB117 |
| Vibration 5-2000Hz 3 Axis, 10 Grms | CRI 70 CRI 70 |

| Lumen Output (Effective) | Number of LEDs | VOLTAGE | | AMP DRAW | | Power (Watts) | Colour Temperature °K | EMC EN55025 GISPR25 |
|--------------------------|----------------|---------|-----------------|----------|------|---------------|-----------------------|---------------------|
| | | Machine | Operating Range | 12V | 24V | | | |
| 2500 lm | 10 | 12-48V | 9-60V | 3.2A | 1.6A | 42W | 5000 | 5 |



D10S - 2500
Narrow 0-30°
3.0m / -15°
Symmetric

D10S - 2500
Medium 31-45°
3.0m / -15°
Symmetric

D10S - 2500
Wide 45°
3.0m / -15°
Symmetric

180904-EN